

— THE —
TORQUE GUN™
— COMPANY —

MADE IN USA

1100



**Structural
Steel**

**Mass
Transit**

Mining

**Ship
Building**

**Power
Generation**

Chemical Plants

Rail Systems

Oil Exploration & Production

**Wind
Tower Assembly**

SINGLE SPEED

Models: J-.5, J-1, J-3, J-5
Range: 175 - 5,200 ft-lbs
Use: For final torquing on
3/4" to 2-1/4" bolts



DUAL SPEED

Models: DS-1, DS-3, DS-5
Range: 200 - 5,200 ft-lbs
Use: For quick rundown
and final torquing

FLIP GUN

Models: Flip-.5, Flip-1, Flip-3
Range: 175 - 3,100 ft-lbs
Use: Flip the arm to switch
from high speed
to high torque



SINGLE SPEED

Models: J-5, J-1, J-3, J-5

Range: 175 - 5,200 ft-lbs

Use: For final torquing on
3/4" to 2-1/4" bolts



DIMENSIONS

MODEL	DRIVE	L	H	R	WEIGHT
J-5	3/4"	8.63"	8.70"	1.49"	6.8 lbs
J-1	3/4"	9.85"	8.82"	1.49"	8 lbs
J-3	1"	12.18"	9.20"	1.73"	11 lbs
J-5	1.5"	13.69"	9.65"	2.04"	19 lbs

TORCGUN

SINGLE SPEED



SINGLE SPEED SPECIFICATIONS

MODEL	DRIVE	TORQUE RANGE	BOLT SIZES
J-.5	3/4"	175 - 500 ft-lbs	1/2" to 1"
J-1	3/4"	200 - 1,250 ft-lbs	7/8" to 1-3/8"
J-3	1"	650 - 3,100 ft-lbs	1-1/4" to 1-7/8"
J-5	1-1/2"	1,200 - 5,200 ft-lbs	1-1/2" to 2"



DUAL SPEED

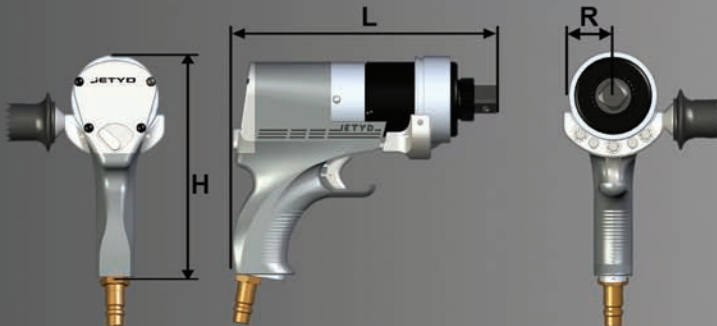
Models: DS-1, DS-3, DS-5
 Range: 200 - 5,200 ft-lbs
 Use: For quick rundown
 and final torquing

BOLTING SYSTEMS COMPARISON

	TorcGun Dual Speed*	IMPACT WRENCH	PNEUMATIC TORQUE	HYDRAULIC TORQUE	HYDRAULIC TENSION
Low Weight	X	-	-	-	-
No Vibration	X	-	X	X	X
Safe for Operator	X	-	-	-	-
Reaction Arm Free	X	X	-	-	X
1400 RPM Rundown	X	X	-	-	-
Back-up Wrench Free	X	-	-	-	X
Equal Loosening Friction	X	-	-	X	-
Rundown & Torque Modes	X	-	-	-	-
Torque/Tension Compatible	X	-	-	-	-



*Used in conjunction with JETYD Reaction Washer



DIMENSIONS

MODEL	DRIVE	L	H	R	WEIGHT
DS-1	3/4"	8.45"	7.52"	2.01"	9.0 lbs
DS-3	1"	11.03"	7.73"	2.5"	17 lbs
DS-5	1.5"	12.12"	8.13"	2.5"	27.5 lbs

TORCGUN

DUAL SPEED



DUAL SPEED SPECIFICATIONS

MODEL	DRIVE	TORQUE RANGE	BOLT SIZES
DS-1	3/4"	200 - 1,250 ft-lbs	7/8" to 1-3/8"
DS-3	1"	650 - 3,100 ft-lbs	1-1/4" to 1-7/8"
DS-5	1-1/2"	1,200 - 5,200 ft-lbs	1-1/2" to 2"



FLIP GUN

Models: FLIP-.5, FLIP-1, FLIP-3
 Range: 275 - 3,100 ft-lbs
 High speed to high
 torque in seconds

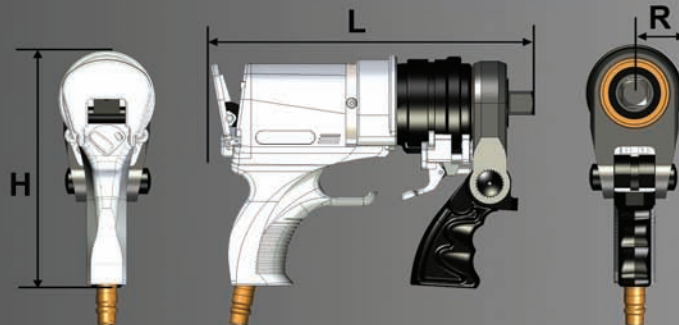


HIGH TORQUE

Move the arm into reaction
 position and hold the safety
 lever to tighten nuts up to
3,100 FT-LBS

HIGH SPEED

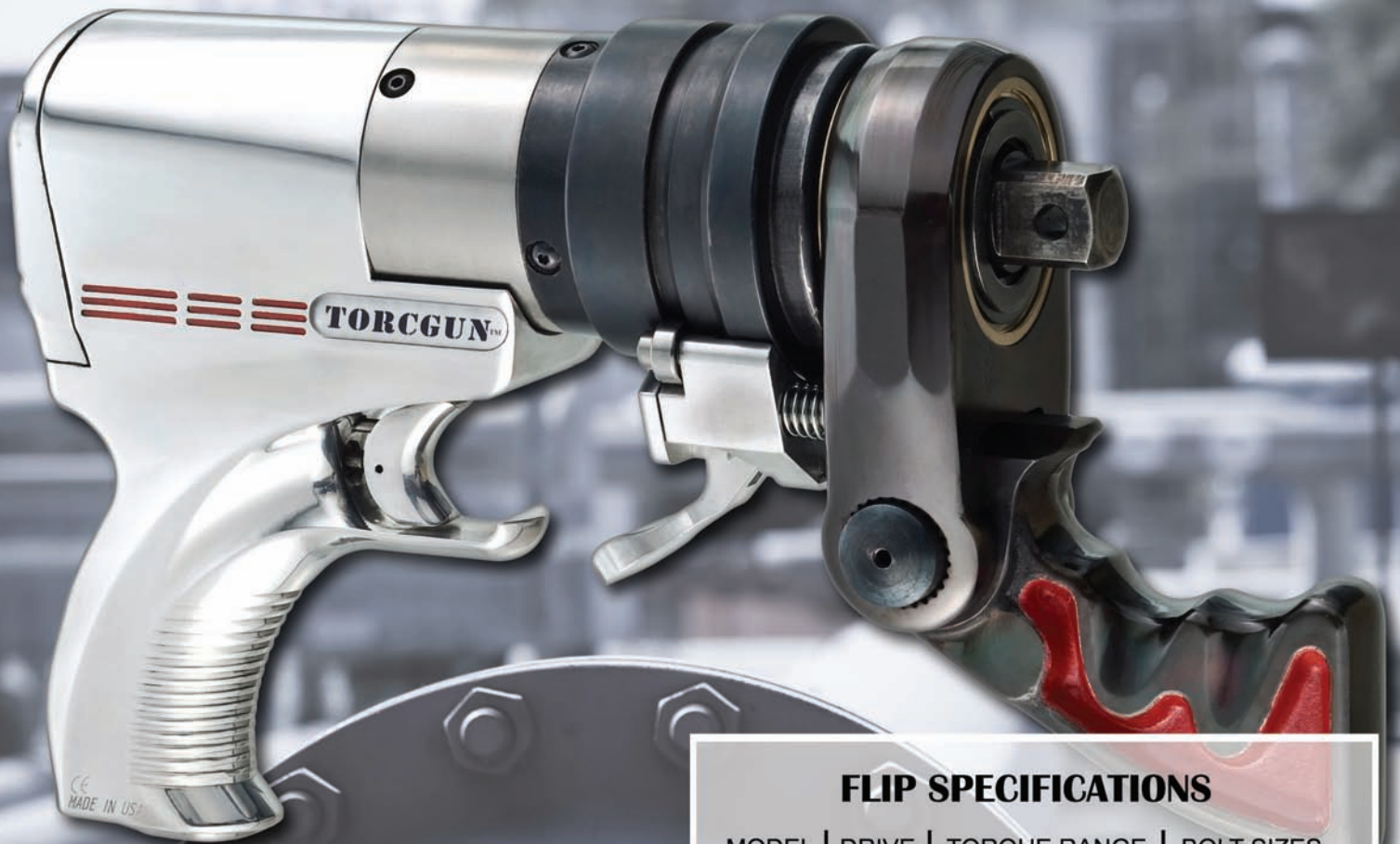
Hold the arm and push the speed
 button to run down nuts at
1,300 RPM



DIMENSIONS

MODEL	DRIVE	H	L	R	WEIGHT
FLIP-.5	3/4"	7.52"	8.55"	1.25"	8.3 lbs
FLIP-1	3/4"	7.52"	9.04"	1.5"	9.5 lbs
FLIP-3	1"	7.73"	11.53"	1.75"	17.5 lbs

TORCGUN FLIP



FLIP SPECIFICATIONS

MODEL	DRIVE	TORQUE RANGE	BOLT SIZES
FLIP-5	3/4"	175 - 500 ft-lbs	1/2" to 1"
FLIP-1	3/4"	200 - 1,250 ft-lbs	7/8" to 1-3/8"
FLIP-3	1"	650 - 3,100 ft-lbs	1-1/4" to 1-7/8"

TORCGUN

ACCESSORIES



DRIVERS

Drivers for All Fasteners



OFFSET LINK

Use For Limited Clearance



FRL UNIT

Filter/Regulator/Lubricator



FIXTURES

Custom Reaction Fixtures



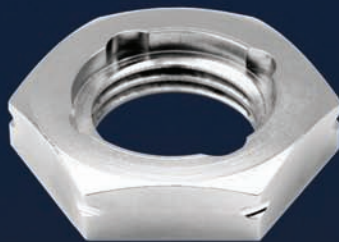
EXTENSIONS

Custom Drive Extensions

**OUR ENGINEERING
STAFF IS DEDICATED TO
FINDING THE PERFECT
SOLUTION FOR YOUR
JOB. PLEASE CALL
888-GUN-2-GUN
OR EMAIL US AT
INFO@TORQUEGUN.COM
FOR ANSWERS**

TENSION ACCESSORIES

REACTION WASHER



- **Universal Reaction Point for all applications**
- **Calibrated for your bolt load requirements**
- **Eliminates reaction arms and backup wrenches**
- **Allows for multiple tool control by one operator**
- **Tightening and loosening time CUT IN HALF**

TENSION CLAMP



- **Simple nut replacement for straight tensioning**
- **Load accuracy within 5% for critical applications**
- **Easy removal after long duration and high temp**
- **No side clearance required for operation**
- **Tightening and loosening time CUT IN HALF**



218 ISLAND ROAD, MAHWAH, NJ 07430
TEL: 201-512-9800 • FAX: 201-786-9147
TOLL FREE: (888)GUN-2-GUN
EMAIL: INFO@TORQUEGUN.COM

